

Vacuum Packers

Vacuum packer 8m³/h table top (UK plug)

ITEM # _____

MODEL # _____

NAME # _____

SIS # _____

AIA # _____



602211 (EVP08D)

* NOT TRANSLATED *

Main Features

- Table-top vacuum packer with oil lubricated vacuum pump.
- Vacuum level control through high-precision, absolute-type vacuum sensor, which does not require calibration.
- Pressure chamber made of constant thickness, hydroformed, stainless steel with rounded corners for easy cleaning.
- Sturdy, transparent PMMA (plexiglass) lid with rounded edges; opens automatically at the end of the cycle.
- Control panel, resistant to liquids, humidity, dirt and dust.
- 10 editable user programs (vacuum, extra vacuum, sealing time).
- 1 vacuum cycle for jars/containers.
- Adjustable sealing time 0.1 to 6 seconds.
- Specific pump oil cleaning cycle (H2Out).
- Automatic warnings if food needs cooling down (hot), failure in the packing process, gas missing, oil change.
- Pre-arranged for external vacuum packing in containers by connecting a specific pipe to the air extraction nozzle (available as spare part).
- 2 PE filling plates included.
- Sealing bar 310 mm, easily removable for cleaning.

Construction

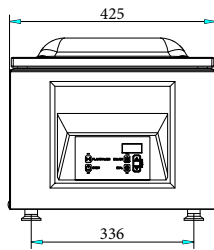
- Entirely constructed in 304 AISI stainless steel.
- Easy access for service through hinged opening of the body.

Optional Accessories

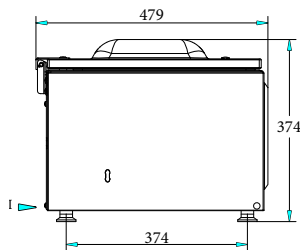
- STAINLESS STEEL TROLLEY PNC 650239
470X570X700MM (H)
- INCLINED SHELF TO PNC 650240
VACUUM LIQUIDS - 300 MM
- LABEL PRINTER, BLUETOOTH PNC 650243
(FOR 50X60 MM LABELS),
DISPLAY ENG/ITA
(MANAGED VIA DEDICATED
APP)

APPROVAL: _____

Front

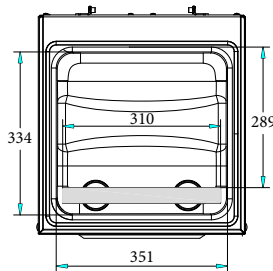


Side

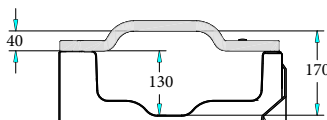


EI = Electrical inlet (power)

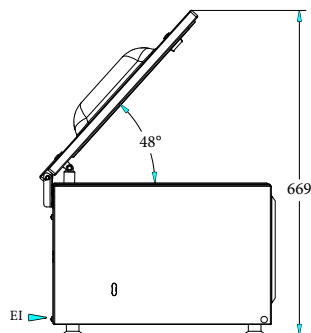
Top



Other



Perspective



Electric

Supply voltage:	220-240 V/1N ph/50-60 Hz
Total Watts:	0.6 kW
Plug type:	UK-13A

Key Information:

Filling board nr:	2
Gas nozzles:	no gas
External dimensions, Width:	425 mm
External dimensions, Depth:	479 mm
External dimensions, Height:	374 mm
Net weight (kg):	35.5
Well Capacity:	14.1 lt
Pump:	8 m ³ /h
Sealing bar position:	Front
Sealing bar length:	310 mm
Max chamber (chamber + cover) dimensions:	334 x 351 x 170 mm
Chamber working dimensions:	289 x 347 x 130 mm